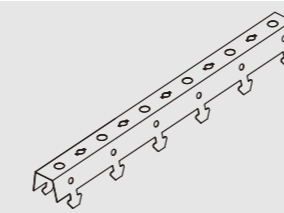
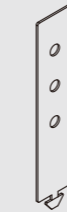


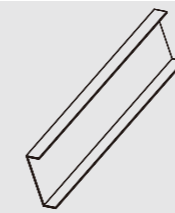
C-shaped Closed Strip Ceiling



C-shaped strip carrier
 No.:PGL01J
 Materials:Steel
 Processing of surface:Zincification
 Height:28mm
 Length:3000mm
 Standard thickness:0.8mm



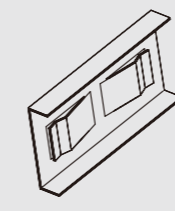
C-shaped strip carrier fitting
 No.:PGL01JJ
 Materials:Steel
 Processing of surface:Zincification
 Height:100mm
 Standard thickness:1.0mm



Main carrier
 No.:PGG01
 Materials:Steel
 Processing of surface:Zincification
 Height:38/50mm
 Length:3000mm
 Standard thickness:1.2mm



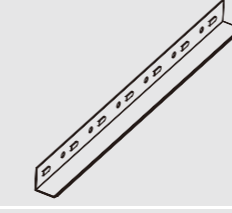
Main carrier fitting
 No.:PGG01J
 Materials:Steel
 Processing of surface:Zincification
 Height:95/105mm
 Standard thickness:1.0mm



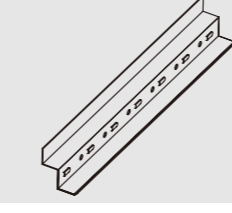
Main carrier fitting
 No.:PGG01L
 Materials:Steel
 Processing of surface:Zincification
 Height:41/53mm
 Standard thickness:1.0mm



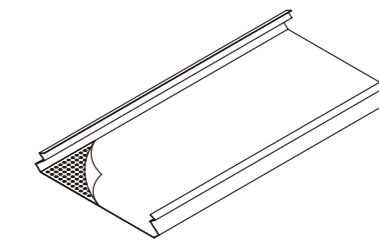
M8 bar
 No.:PGG01D
 Materials:Steel
 Processing of surface:Zincification



L-shaped angle of edge
 No.:PXL02T
 Materials:Grade AA aluminum alloy
 Processing of surface:Akzo Nobel Powder coating
 Specification:25mm x 25mm
 Length:3000mm
 Standard thickness:0.8mm

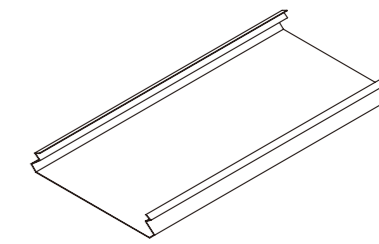


W-shaped angle of edge
 No.:PXW02T
 Materials:Grade AA aluminum alloy
 Processing of surface:Akzo Nobel Powder coating
 Specification:25mm x 25mm x 25mm
 Length:3000mm
 Standard thickness:0.8mm



C-shaped perforated strip panel

No.:PCD200T
 Materials:Grade AA aluminum alloy
 Processing of surface:Akzo Nobel Powder coating
 Height:15mm
 Length: is equal to or less than 6000mm in length
 Standard thickness:1.0mm
 Aperture and pitch-row:Be designed to work



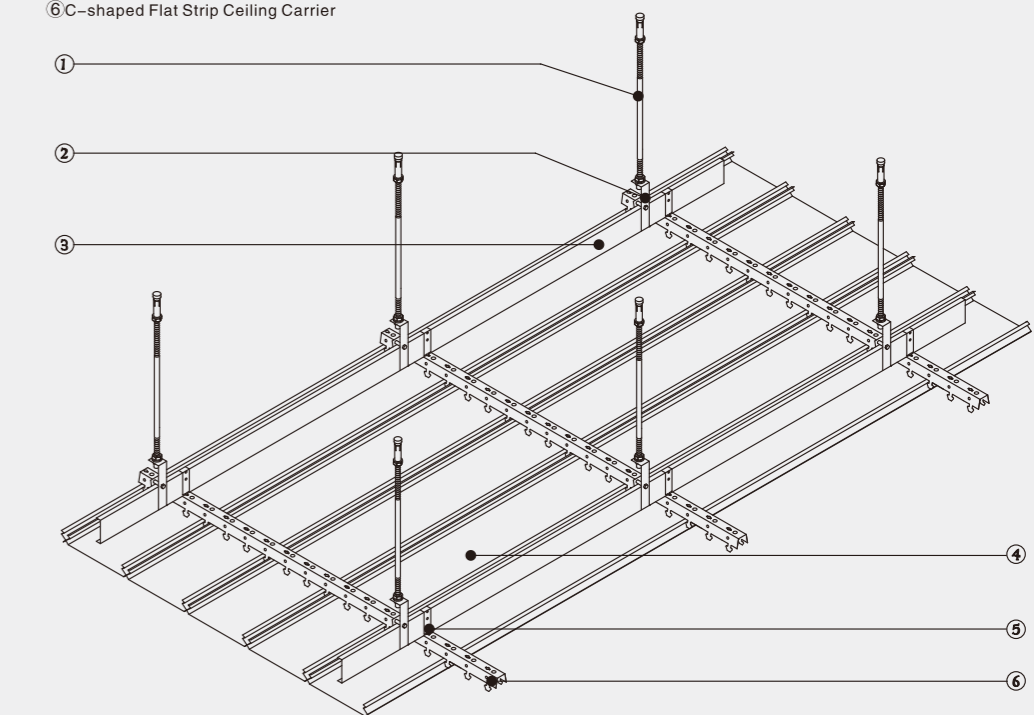
C-shaped flat strip panel

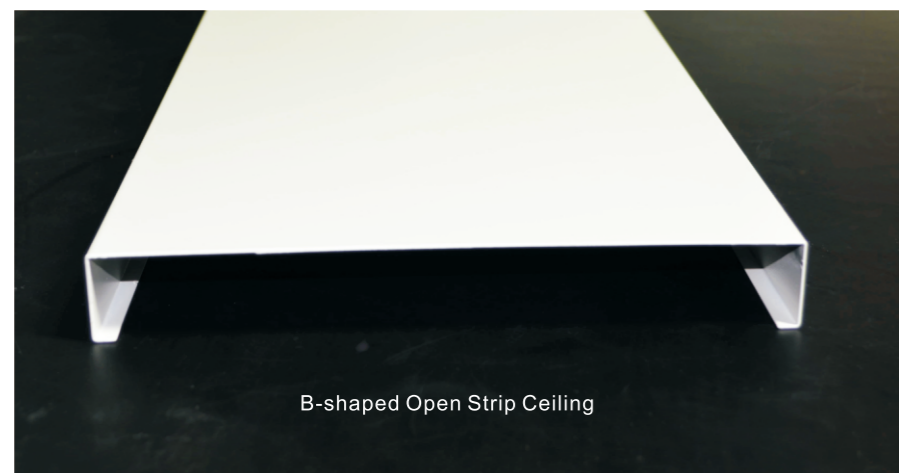
No.:PCD200
 Materials:Grade AA aluminum alloy
 Processing of surface:Akzo Nobel Powder coating
 Height:15mm
 Length: is equal to or less than 6000mm in length
 Standard thickness:1.0mm

■ Standard Size: C75mm, C100mm, C150mm, C200mm, C300mm

Installation View For C-shaped Closed Strip Ceiling

- ① M8 Hanger Rod
- ② Main Carrier Hanger
- ③ Main Carrier
- ④ C-shaped Flat Strip Ceiling
- ⑤ C-shaped Flat Strip Ceiling Hanger
- ⑥ C-shaped Flat Strip Ceiling Carrier

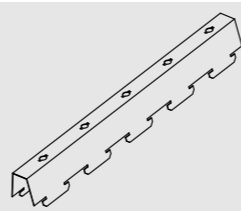




B-shaped Open Strip Ceiling



B-shaped Open Strip Ceiling



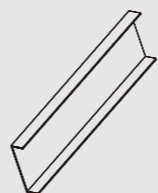
B-shaped strip carrier

No.:PBL01
 Materials:Steel
 Processing of surface:Zincification or black polyester
 Height:28mm
 Length:3000mm
 Standard thickness:0.8mm



B-shaped strip carrier fitting

No.:PBL01J
 Materials:Steel
 Processing of surface:Zincification
 Standard thickness:1.0mm



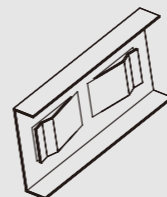
Main carrier

No.:PGG01
 Materials:Steel
 Processing of surface:Zincification
 Height:38/50mm
 Length:3000mm
 Standard thickness:1.2mm



Main carrier fitting

No.:PGG01J
 Materials:Steel
 Processing of surface:Zincification
 Height:95/105mm
 Standard thickness:1.0mm



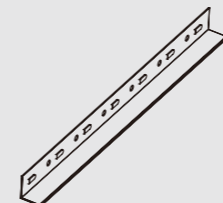
Main carrier fitting

No.:PGG01L
 Materials:Steel
 Processing of surface:Zincification
 Height:41/53mm
 Standard thickness:1.0mm



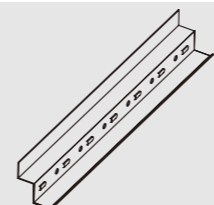
M8 bar

No.:PGG01D
 Materials:Steel
 Processing of surface:Zincification



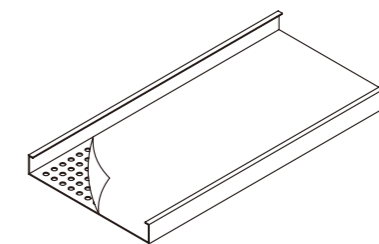
L-shaped angle of edge

No.:PXL02T
 Materials:Grade AA aluminum alloy
 Processing of surface:Akzo Nobel Powder coating
 Specification:25mm x 25mm
 Length:3000mm
 Standard thickness:0.8mm



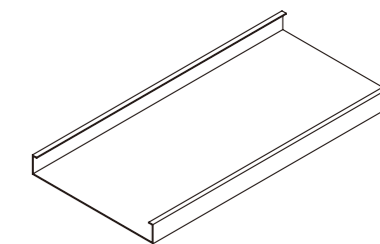
W-shaped angle of edge

No.:PXW02T
 Materials:Grade AA aluminum alloy
 Processing of surface:Akzo Nobel Powder coating
 Specification:25mm x 25mm x 25mm
 Length:3000mm
 Standard thickness:0.8mm



B-shaped perforated strip panel

No.:PBD200T
 Materials:Grade AA aluminum alloy
 Processing of surface:Akzo Nobel Powder coating
 Specification:25-300
 Standard thickness:0.8-1.0mm



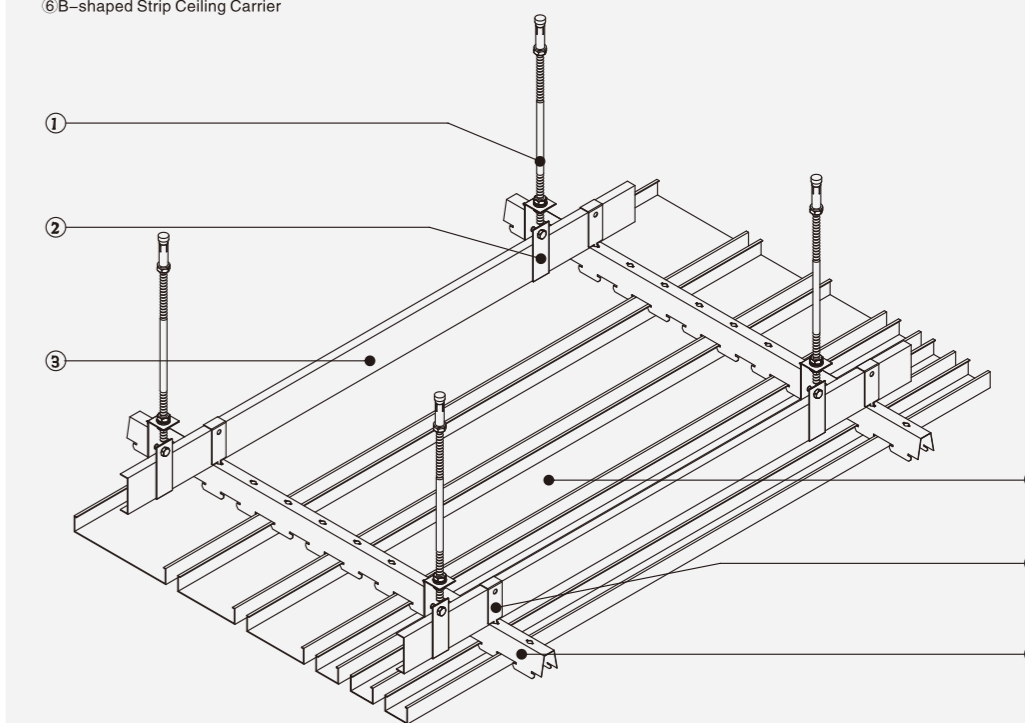
B-shaped flat strip panel

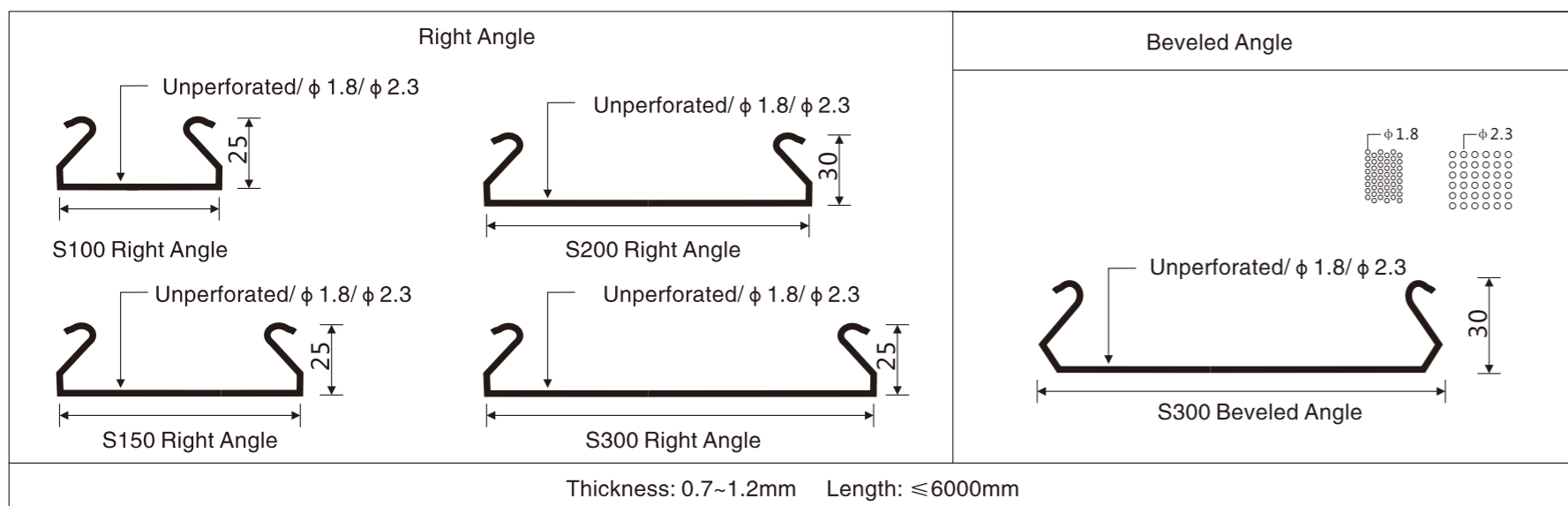
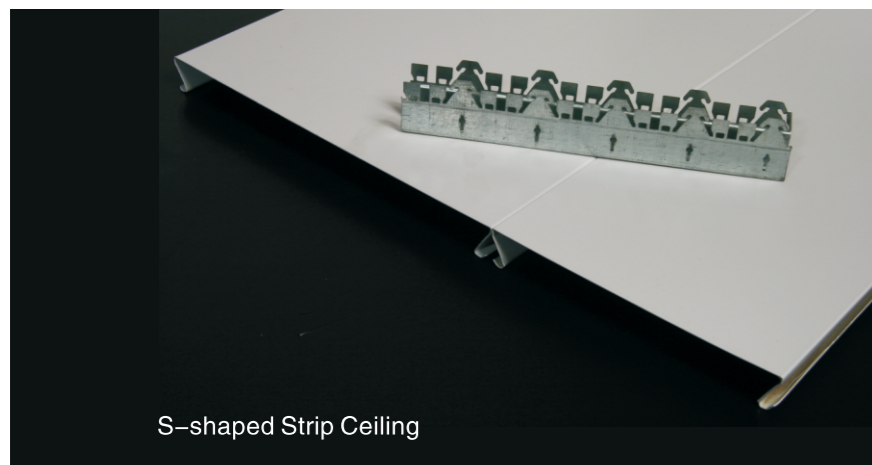
No.:PBD200
 Materials:Grade AA aluminum alloy
 Processing of surface:Akzo Nobel Powder coating
 Specification:25-300
 Standard thickness:0.8-1.0mm

■ Standard Size:Width: B20~250mm; Height: 20~50mm

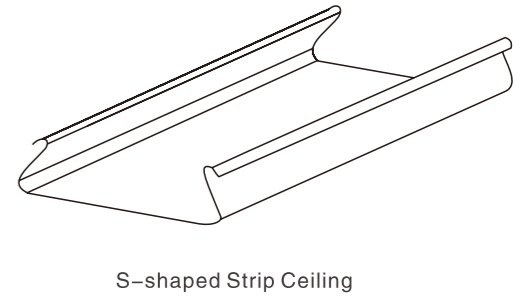
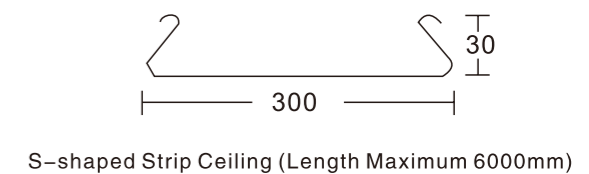
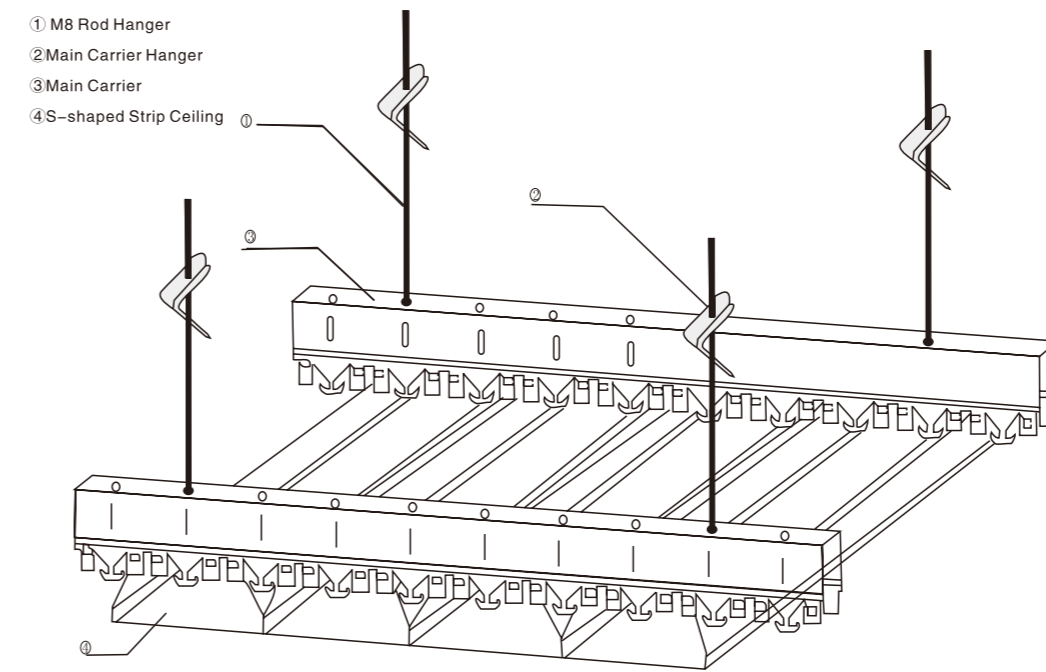
Installation View For B-shaped Open Strip Ceiling

- ① M8 Hanger Rod
- ② Main Carrier Hanger
- ③ Main Carrier
- ④ B-shaped Flat Strip Ceiling
- ⑤ B-shaped Strip Ceiling Carrier Hanger
- ⑥ B-shaped Strip Ceiling Carrier





S-shaped Windproof Strip Ceiling

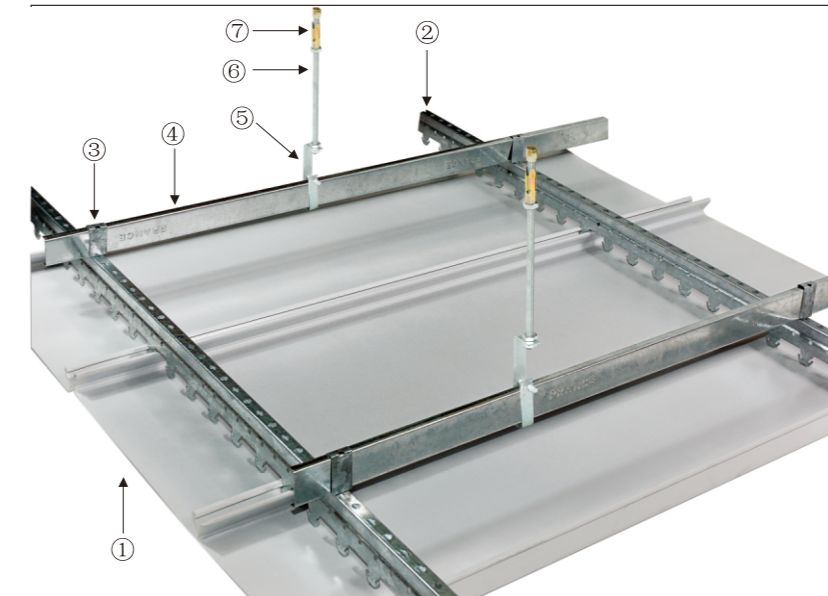


S-shaped Strip Carrier
No.: PHL01
Material: Steel
Surface Treatment: Galvanization
Height: 28mm
Standard Thickness: 0.7mm

Main carrier
No.: PGG01
Material: Steel
Processing of surface: Zincification
Height: 41/53mm
Length: 3000mm
Standard thickness: 0.6~0.8mm

W-shaped angle of edge
No.: PXW02T
Material: Grade AA aluminum alloy
Processing of surface: Akzo Nobel Powder coating
Specification: 24*11*11*24mm
Length: 3000mm
Standard thickness: 0.8mm

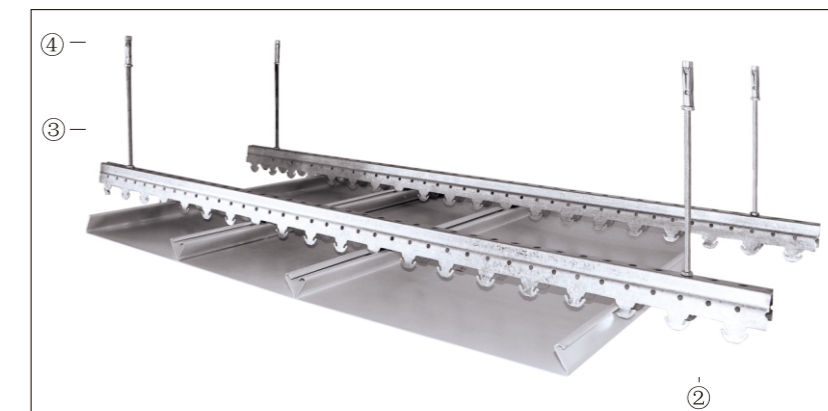
S-shaped Strip Carrier Hanger
No.: PHL01L
Material: Steel
Surface Treatment: Galvanization
Length: 100mm
Standard Thickness: 1.0mm



Installation View For S-Shaped Strip Ceiling

Method 1: With 38# Main Carrier

- ① S-shaped Strip Ceiling
- ② S-shaped Strip Ceiling Carrier
- ③ S-shaped Strip Ceiling Carrier Hanger
- ④ 38# Main Carrier
- ⑤ 38# Main Carrier Hanger
- ⑥ Hanger Rod
- ⑦ Expansion Bolt

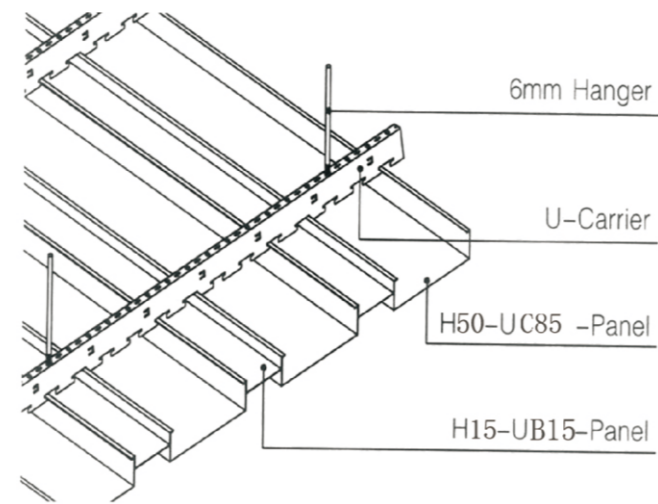


Method 2: Without 38# Main Carrier

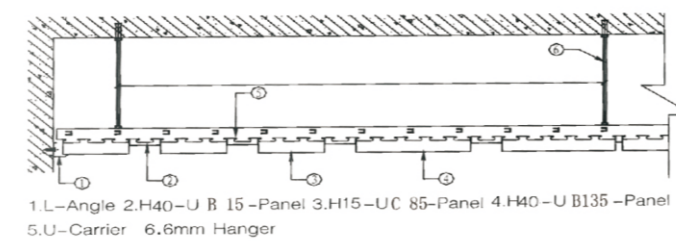
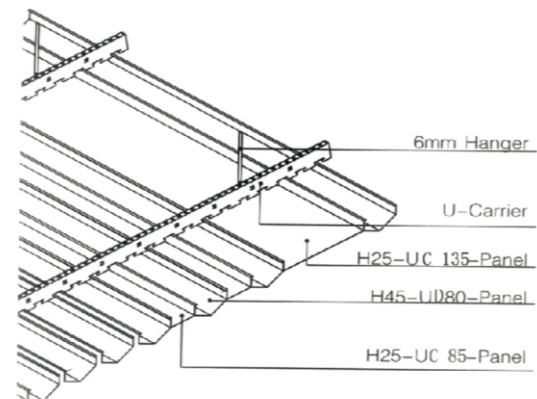
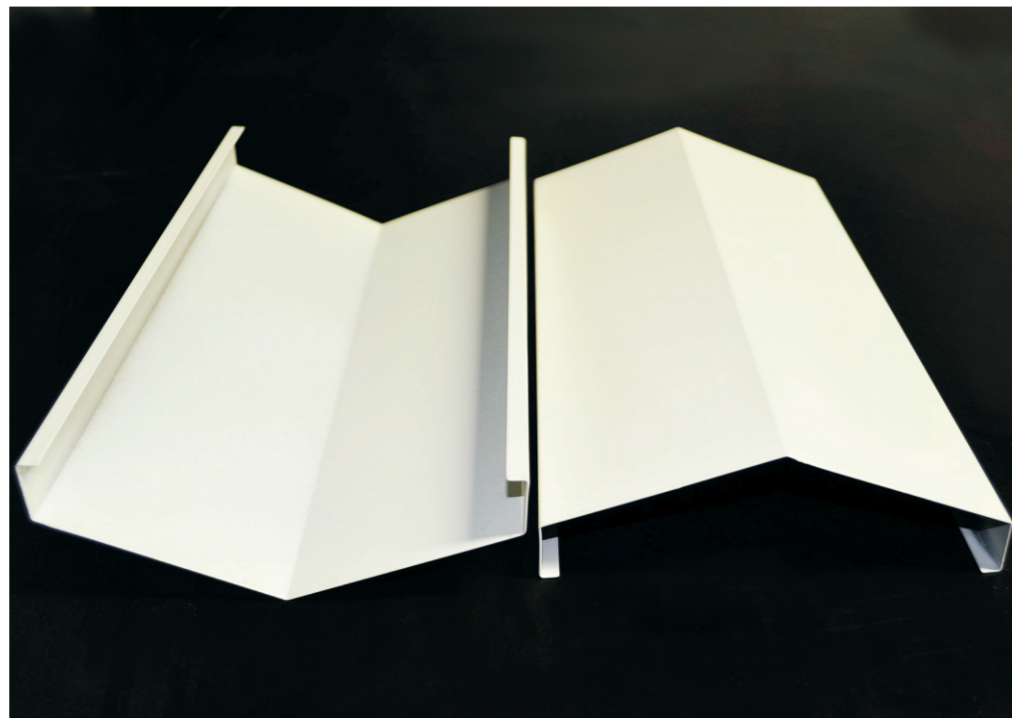
- S-shaped Strip Ceiling
- S-shaped Strip Ceiling Carrier
- Hanger Rod
- Expansion Bolt

Features:

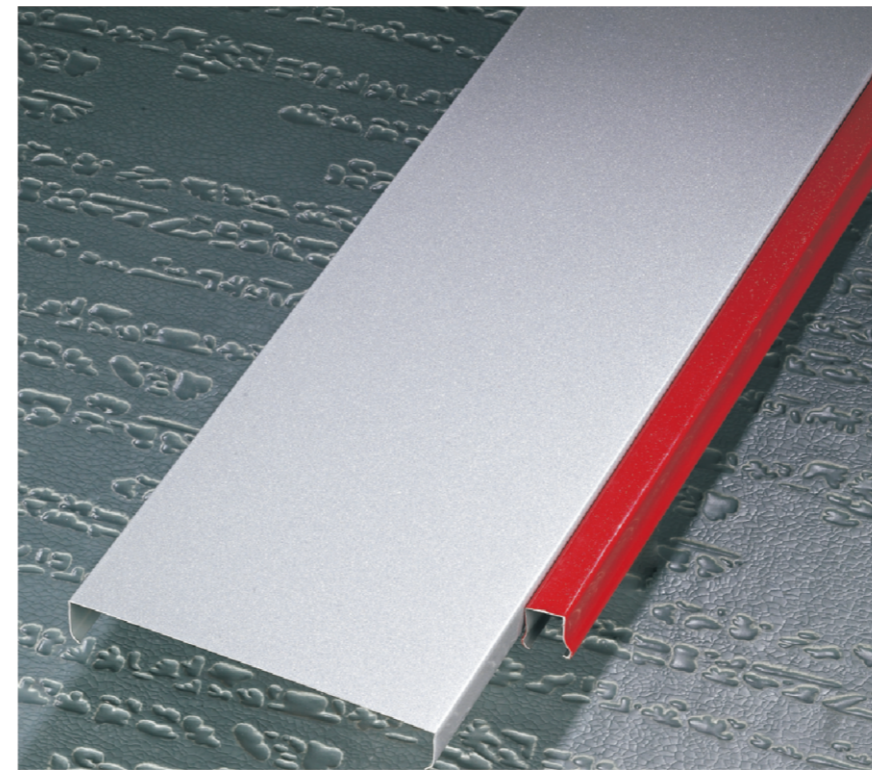
U-shaped Hook-on Strip Ceiling is made from high grade aluminum alloy, with film coating, spraying, and roller coating surface treatment option. Simple structure makes it easy to install. The whole ceiling surface looks comfortable. Each ceiling tile hooks on another one tightly, which shows a strong sense of stereo vision, noble & elegant.



TYPE	W	T	PATTERN
U _B	135	0.5~0.7	25>H>15
	85	0.5~0.7	
	15	0.4~0.6	
U _C	135	0.5~0.7	H>30
	85	0.5~0.7	
	15	0.4~0.6	
U _D	30	0.4~0.5	W>25
	80	0.4~0.6	
	130	0.5~0.6	
	180	0.5~0.8	
	230	0.6~0.8	
	280	0.7~0.9	
	330	0.7~1.0	



U15, U85, U135 Strip Ceiling



U-shaped Hook-on Strip Ceiling is an innovation after improvement on the original product structure and quality. U85 strip hooking on U15 strip forms a 100mm width U-shaped Strip Ceiling, and U135 strip hooking on U15 strip forms a 150mm width U-shaped Strip Ceiling. Big and small strips stagger together, giving people a strong sense of stereo vision.

Application: airport, hotel, office building, residential ceiling and etc.

